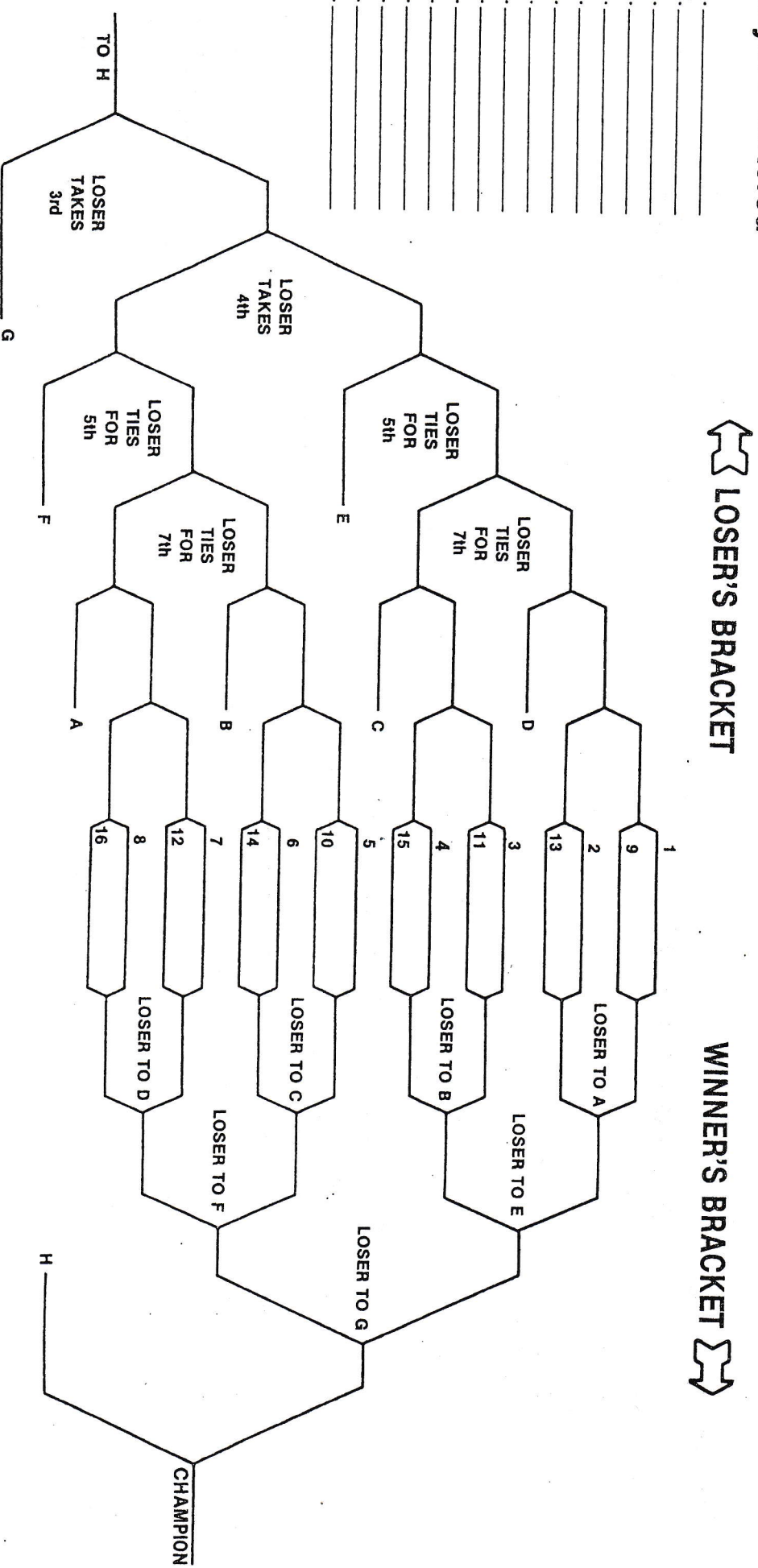


# GREEN AMUSEMENT DOUBLE ELIMINATION

DATE \_\_\_\_\_  
Players Entered \_\_\_\_\_

1. \_\_\_\_\_
2. \_\_\_\_\_
3. \_\_\_\_\_
4. \_\_\_\_\_
5. \_\_\_\_\_
6. \_\_\_\_\_
7. \_\_\_\_\_
8. \_\_\_\_\_
9. \_\_\_\_\_
10. \_\_\_\_\_
11. \_\_\_\_\_
12. \_\_\_\_\_
13. \_\_\_\_\_
14. \_\_\_\_\_
15. \_\_\_\_\_
16. \_\_\_\_\_



- 1 When your entries are completed, randomly pick a team and put it in Space No. 1. The next goes on Line 2. Continue picking teams and placing them on the consecutively numbered lines. When you have placed all teams, fill the remainder of lines with "Byes."
- 2 Byes are to be treated as any other team for purposes of the chart — except they lose every match. It is possible for a bye to play a bye, in the loser's bracket only, in which case Bye moves out one more space.
- 3 Play out the chart, following the coded matches and arrows, until you have reached both extremes.
- 4 Winners of both sides play for the Championship. Loser Bracket Team must defeat Winner's Team in two consecutive matches to win — a loss in either match eliminates the Loser Bracket Team and makes the Winner's Bracket Team the Champion.